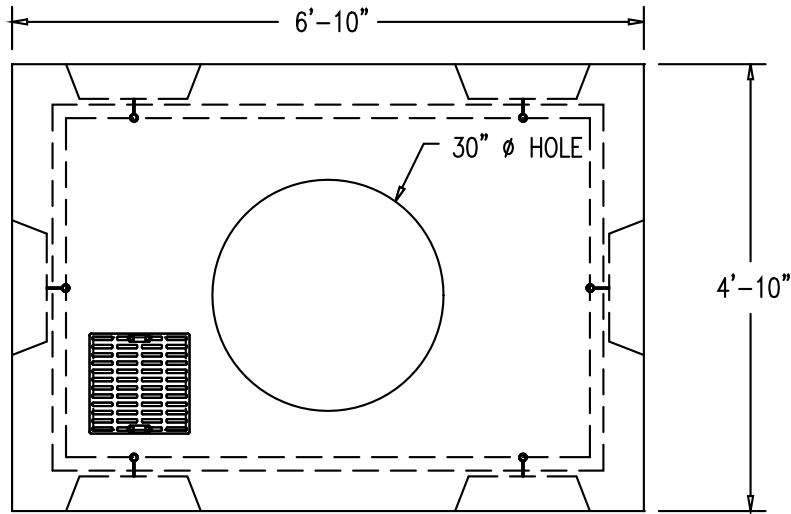


# TELEPHONE MANHOLE

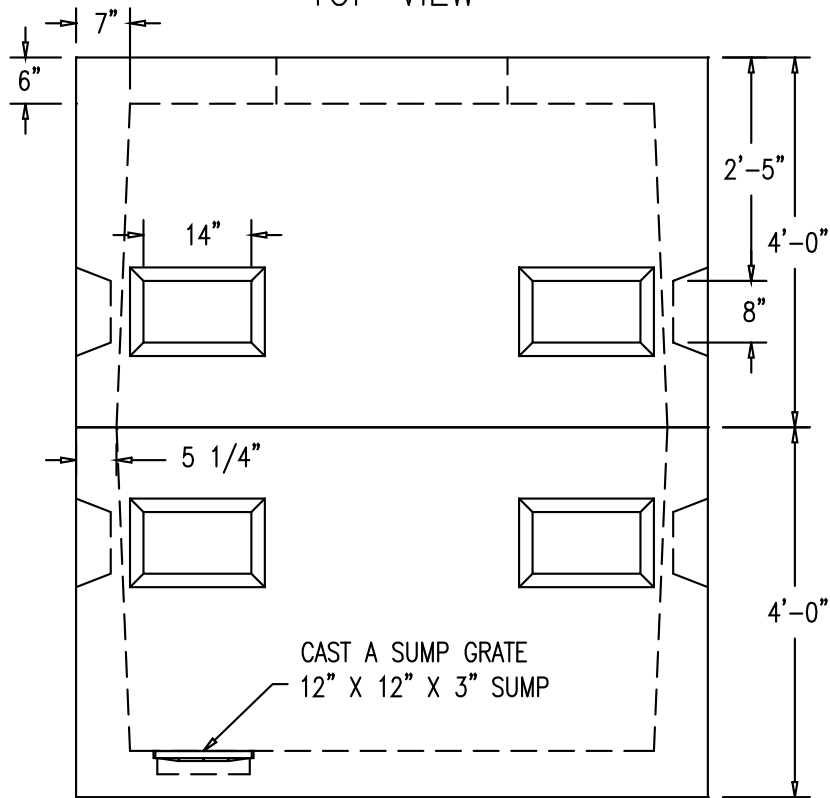
ITEM #B-13T  
 WEIGHT - 8,500 LBS BASE SLAB 2,700 LBS

## DESIGN NOTES:

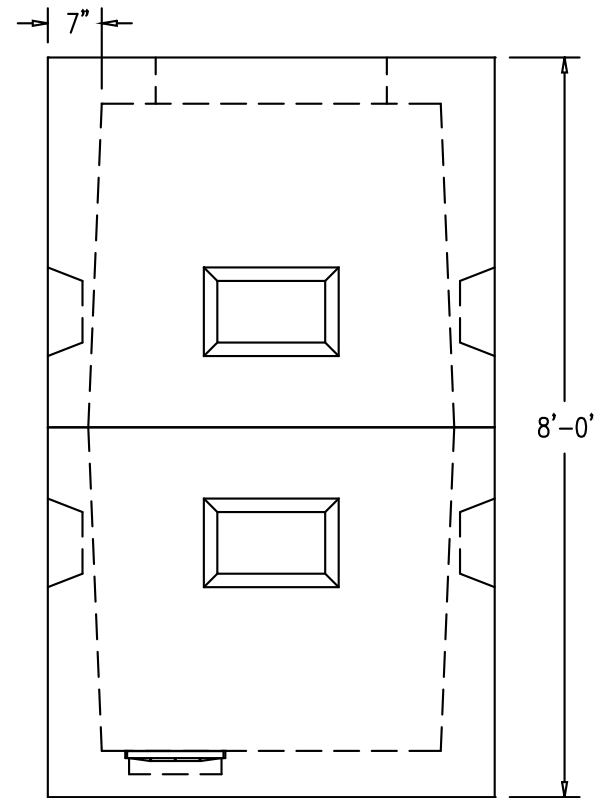
- 1 - CONCRETE 4000 PSI AT 28 DAYS.
- 2 - REINFORCED WITH GRADE 40 REBAR:
  - 4x4 W4/W4 WWF MESH IN WALLS.
  - #4 @ 12" O.C. HORIZONTALLY IN WALLS.
  - #6 @ 6" O.C. EACH WAY IN TOP.
  - 12 PIECES OF #5 SURROUNDING OPENING DIAGONALLY.
- 3 - OPENINGS SIZED FOR 4" & 6" CONDUIT.
- 4 - MEETS ALL CMP SPECIFICATIONS.
- 5 - SUITABLE FOR PRIMARY CABLE INSTALLATIONS.
- 6 - 3/4" ID PULL-EYE OPPOSITE EACH SET OF TERMINATORS.
- 7 - UNITED STATES FOUNDRIES MODEL #4044-A  
 32"Ø FRAME & COVER.



TOP VIEW



FRONT VIEW



SIDE VIEW