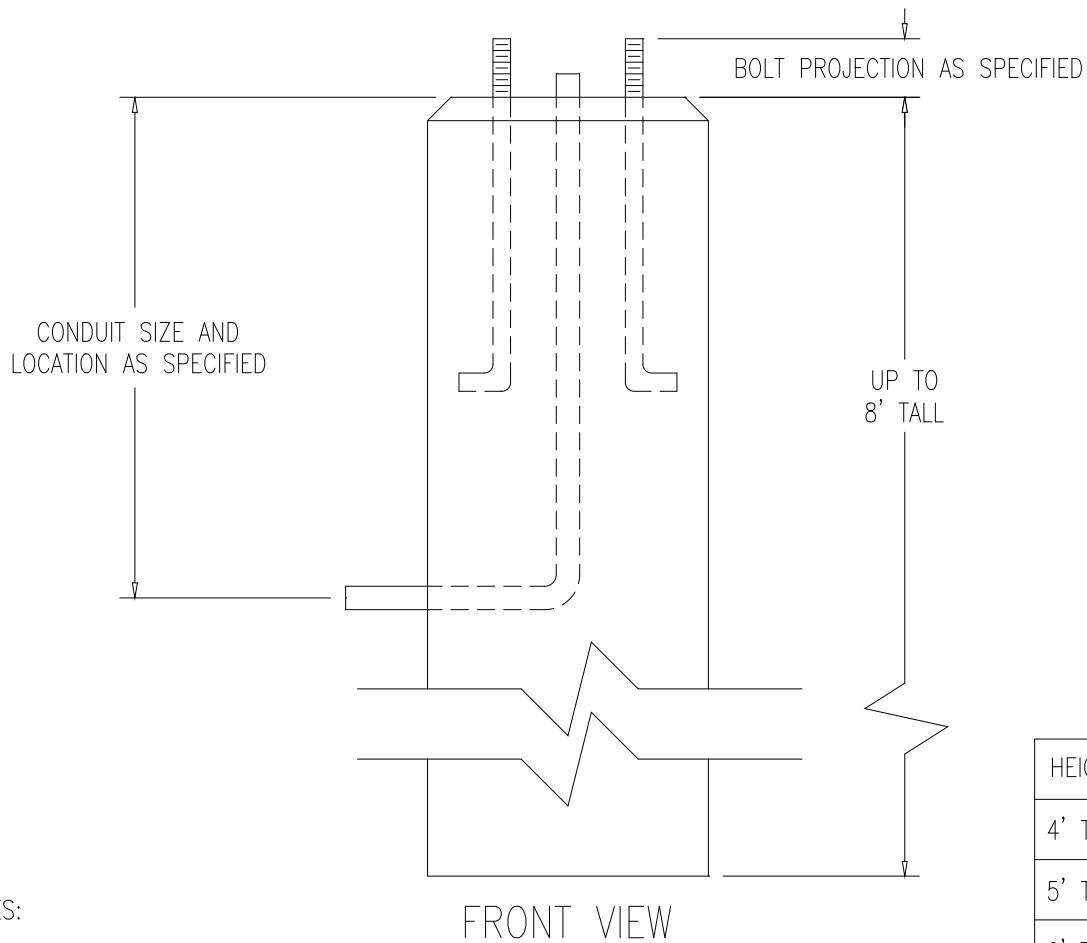
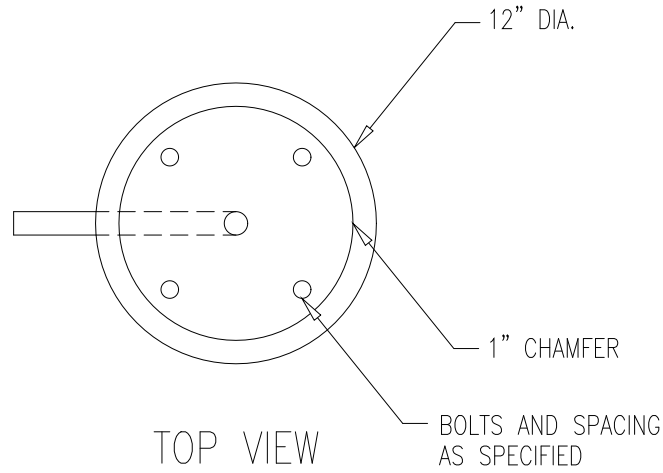


12" ROUND LIGHT POLE BASE

ITEM #B-401

WEIGHT - SEE CHART BELOW



DESIGN NOTES:

- 1 - CONCRETE 4000 PSI AT 28 DAYS.
- 2 - REINFORCING IS AS SPECIFIED. (TYP. 4 - #4 VERTICALLY AND #3 STIRRUPS 12" O.C. HORIZONTALLY)
- 3 - ANCHOR BOLTS AND GROUNDING AS SPECIFIED.
- 4 - BALLAST POURED AROUND BASE IF REQUIRED.

HEIGHT	WEIGHT	ITEM #
4' TALL	472 LBS	B-4014
5' TALL	590 LBS	B-4015
6' TALL	708 LBS	B-4016
7' TALL	826 LBS	B-4017
8' TALL	944 LBS	B-4018