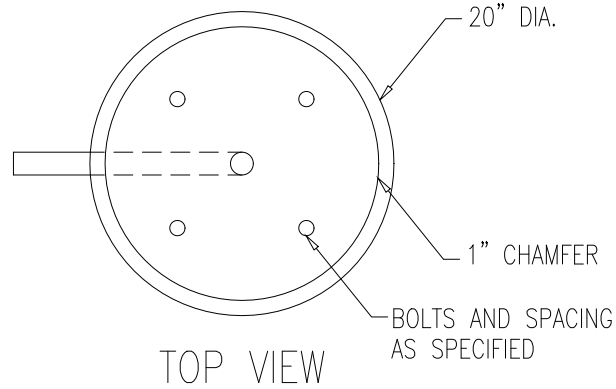


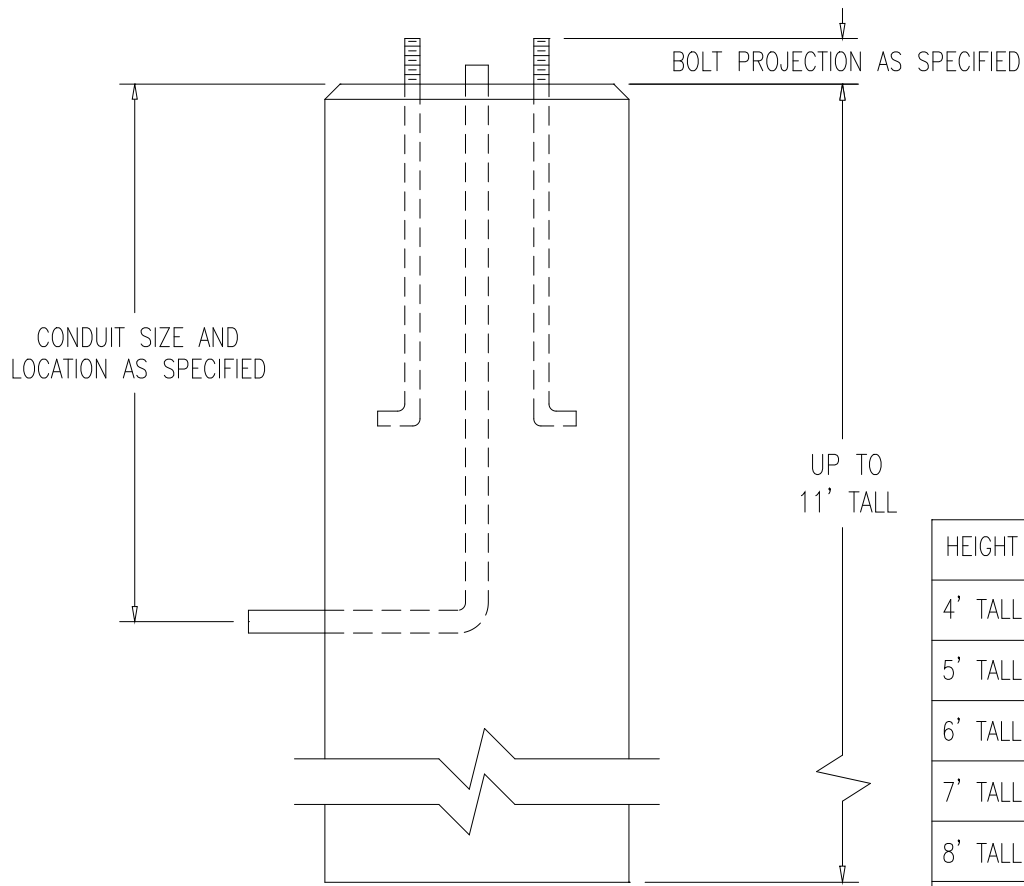
# 20" ROUND LIGHT POLE BASE

ITEM #B-403

WEIGHT - SEE CHART BELOW



TOP VIEW



FRONT VIEW

DESIGN NOTES:

- 1 - CONCRETE 4000 PSI AT 28 DAYS.
- 2 - REINFORCING IS AS SPECIFIED. (TYP. 4 - #4 VERTICALLY AND #3 STIRRUPS 12" O.C. HORIZONTALLY)
- 3 - ANCHOR BOLTS AND GROUNDING AS SPECIFIED.
- 4 - BALLAST POURED AROUND BASE IF REQUIRED.

HEIGHT	WEIGHT	ITEM #
4' TALL	1,308 LBS	B-4034
5' TALL	1,635 LBS	B-4035
6' TALL	1,962 LBS	B-4036
7' TALL	2,289 LBS	B-4037
8' TALL	2,616 LBS	B-4038
9' TALL	2,943 LBS	B-4039
10' TALL	3,270 LBS	B-40310
11' TALL	3,597 LBS	B-40311