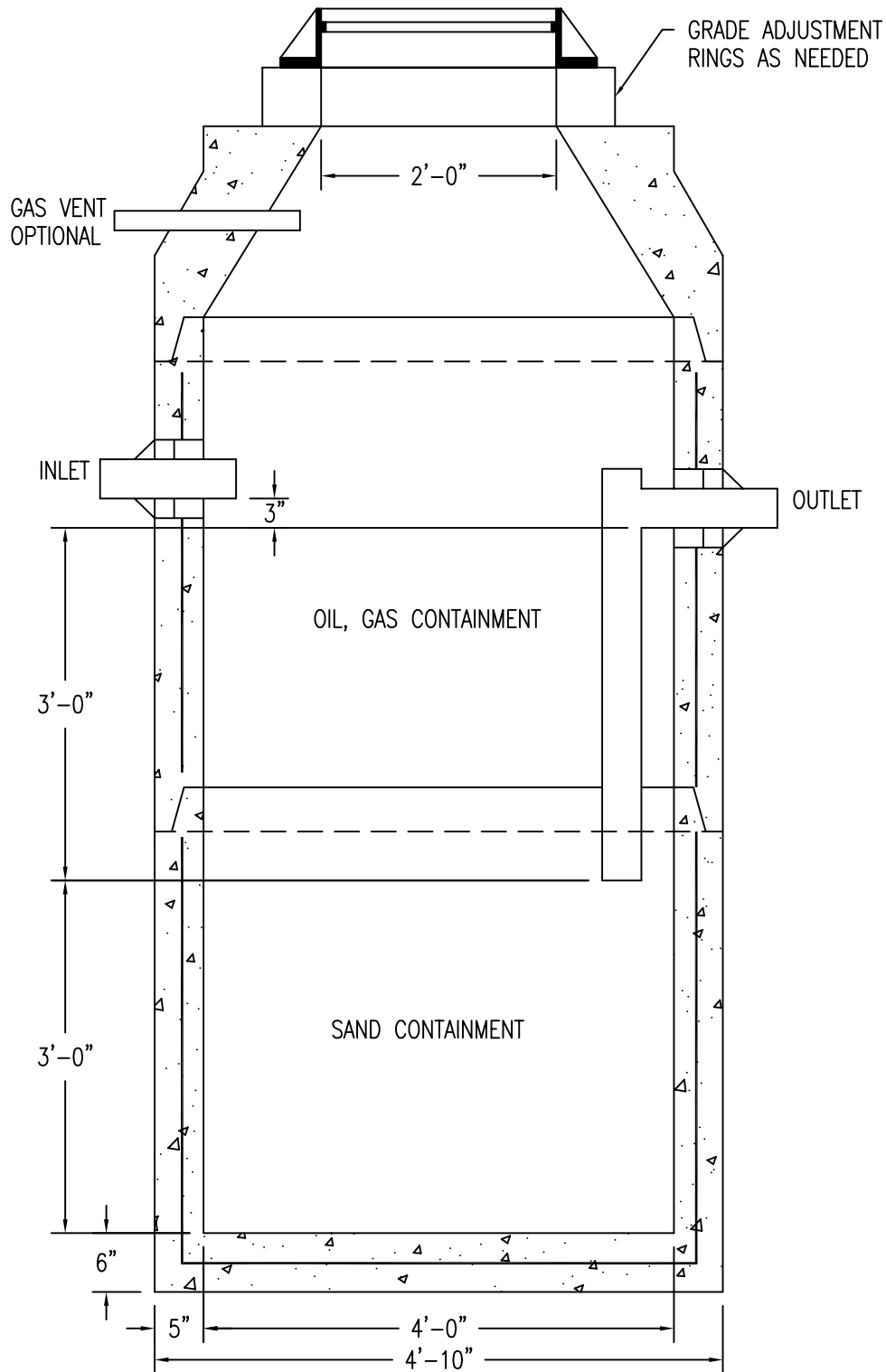


OIL, GAS, AND SAND TRAP

ITEM #C-11

WEIGHT - VARIES DEPENDING ON HEIGHT



DESIGN NOTES:

- 1 - CONCRETE 4000 PSI IN 28 DAYS.
- CONE SECTION IS FIBER REINFORCED CONCRETE.
- 2 - DESIGNED TO CONFORM TO A.S.T.M. C-478.
- 3 - ALL MANHOLE MATERIAL MEETS H-20 LOADING REQUIREMENTS.
- 4 - JOINTS SEALED WITH BUTYL RUBBER JOINT SEALANT. AASHTO M-19

SECTION VIEW

OPTIONS:

- 1 - DAMP PROOF EXT. COATING.
- 2 - CAST IRON FRAMES AND COVERS/GRATES.
- 3 - FLEXIBLE WATERTIGHT PIPE BOOTS A.S.T.M. C-923.