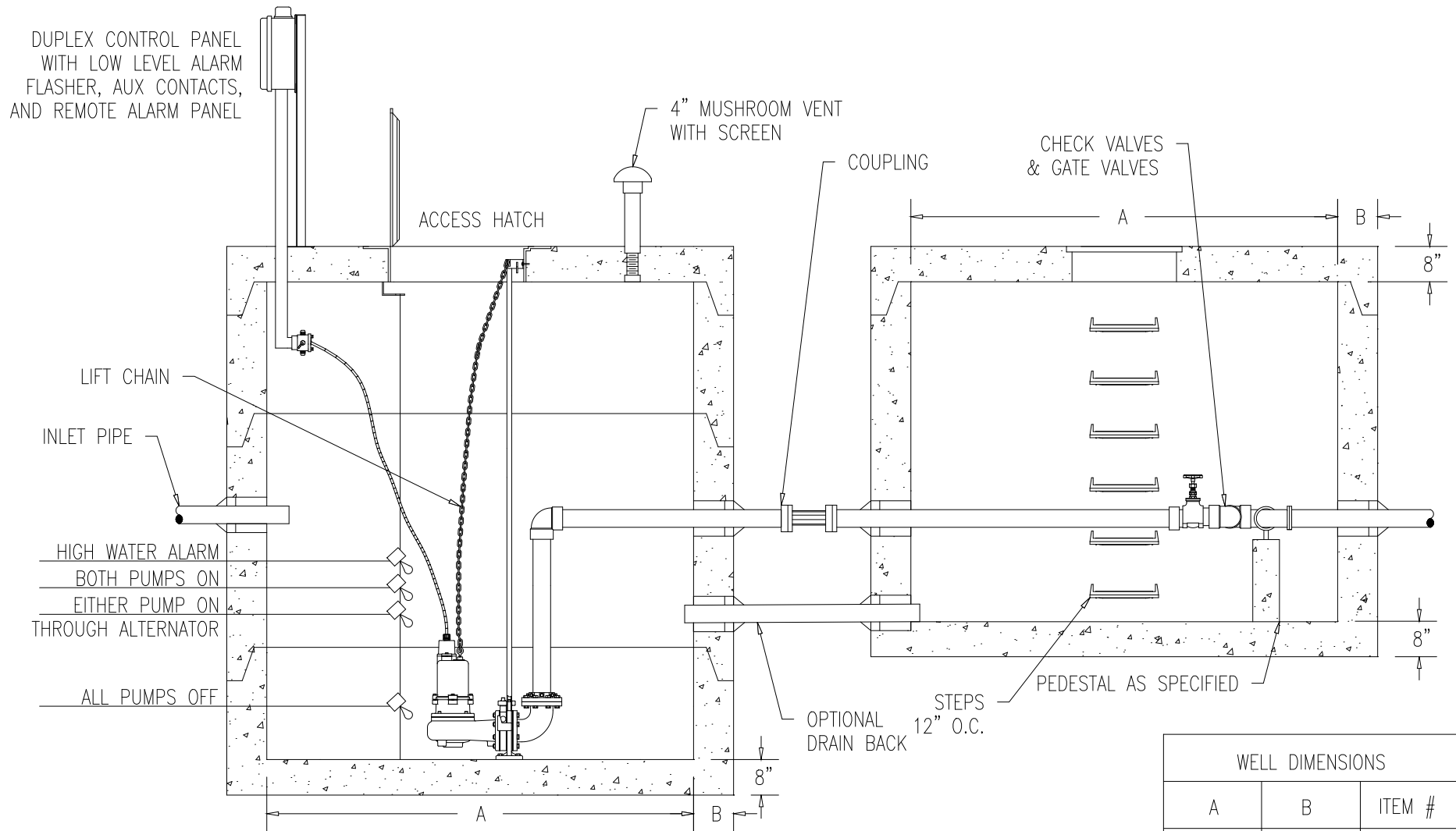


PUMP STATION AND VALVE PIT

ITEM #D-1

WEIGHT - VARIES BECAUSE OF SIZE AND HEIGHT



DESIGN NOTES:

- 1 - FILLETS AND BALLAST CAN BE ADDED AS SPECIFIED.
- 2 - STEPS CAN BE ADDED FOR EASY ACCESS.
- 3 - ALL PUMP TANK AND VALVE PIT EQUIPMENT CAN BE PROVIDED AS SPECIFIED.
- 4 - FLOAT HEIGHT VARIES.

| WELL DIMENSIONS | | |
|-----------------|----|--------|
| A | B | ITEM # |
| 5'-0" | 6" | D-101 |
| 6'-0" | 7" | D-102 |
| 8'-0" | 9" | D-103 |