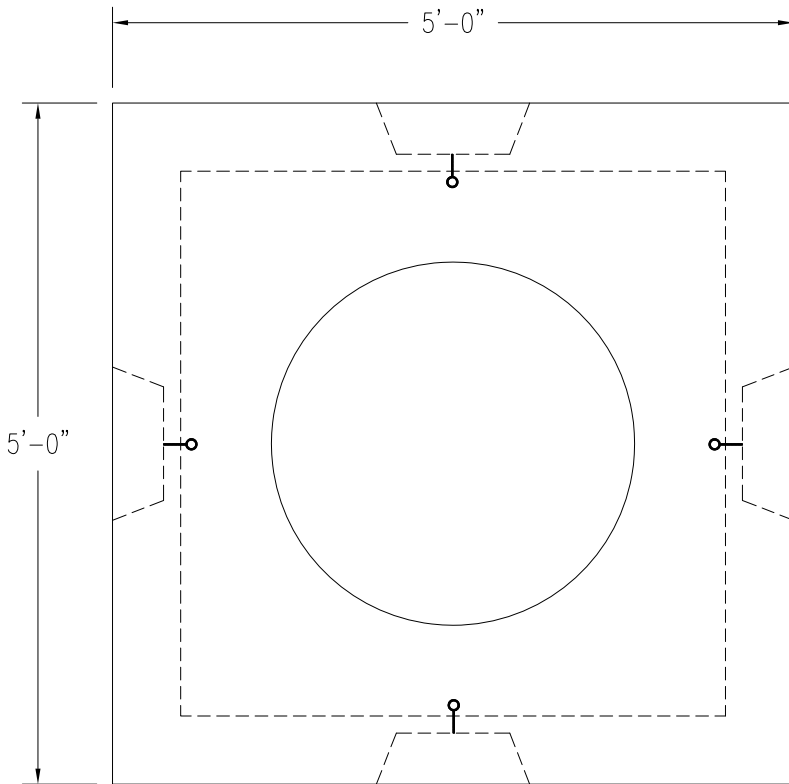


# HEAVY DUTY 4' x 4' SPLICE BOX



## DESIGN NOTES:

- 1 - CONCRETE 4000 PSI AT 28 DAYS.
- 2 - REINFORCED WITH GRADE 40 REBAR:
  - #5 @ 5" OC VERTICAL IN WALLS.
  - CANTILEVERED OVER TOP OF OPENING.
  - #4 @ 8" OC HORIZONTALLY IN WALLS.
  - 4 PIECES OF #4 SURROUNDING OPENING.
  - #4 @ 5" OC EACH WAY ON TOP.
- 3 - OPENINGS SIZED FOR 4" & 6" CONDUIT.
- 4 - MEETS ALL CMP SPECIFICATIONS.
- 5 - SUITABLE FOR PRIMARY CABLE INSTALLATIONS.
- 6 - IF INSTALLED IN PAVED AREA ORDER PRECAST SLAB FOR USE UNDER HAND HOLE FOR ADDITIONAL LOAD BEARING OF TRAFFIC.
- 7 - 3/4" ID PULL-EYE BELOW EACH KNOCKOUT.
- 8 - UNITED STATES FOUNDRIES MODEL #4044-A 32"Ø FRAME & COVER.

