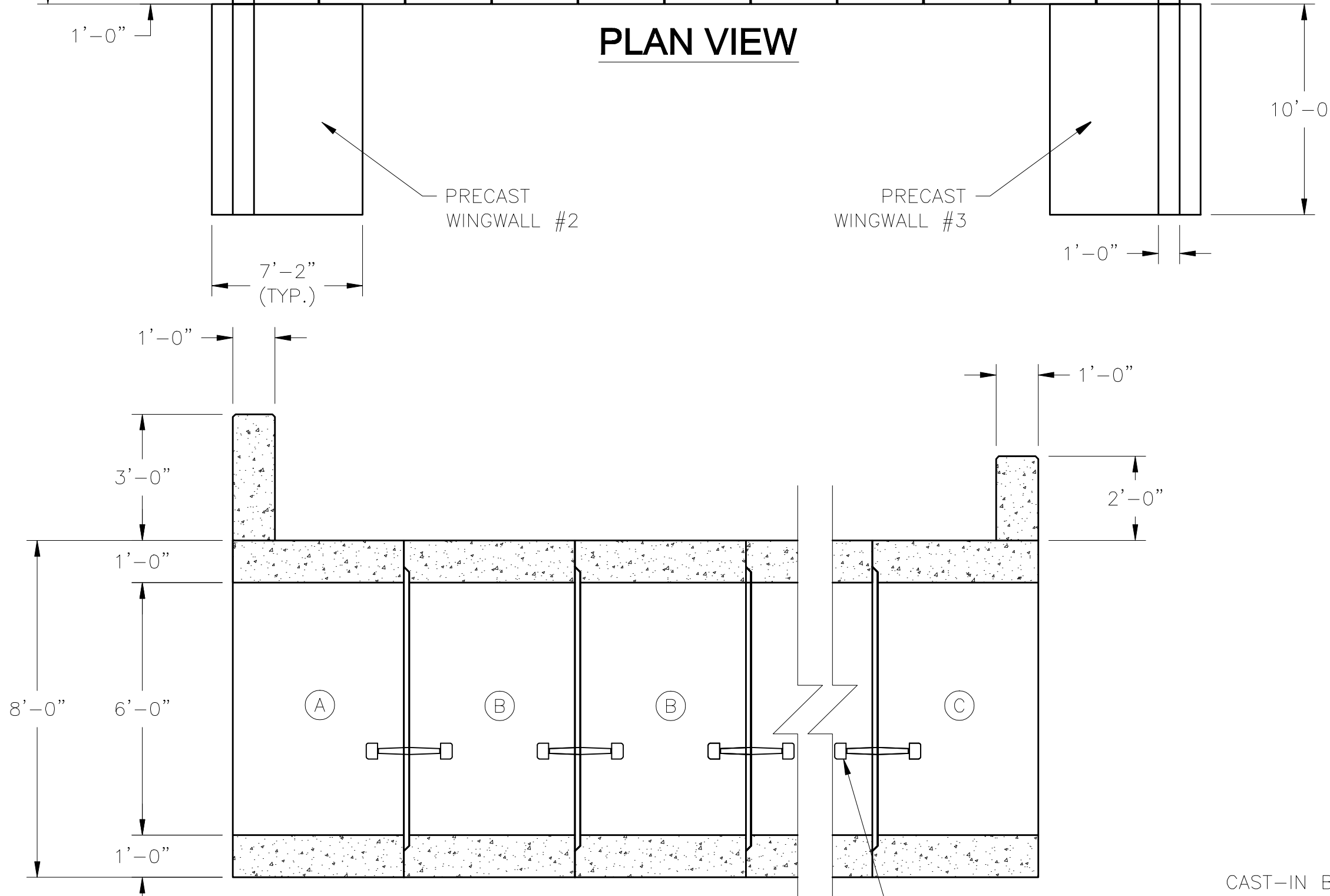
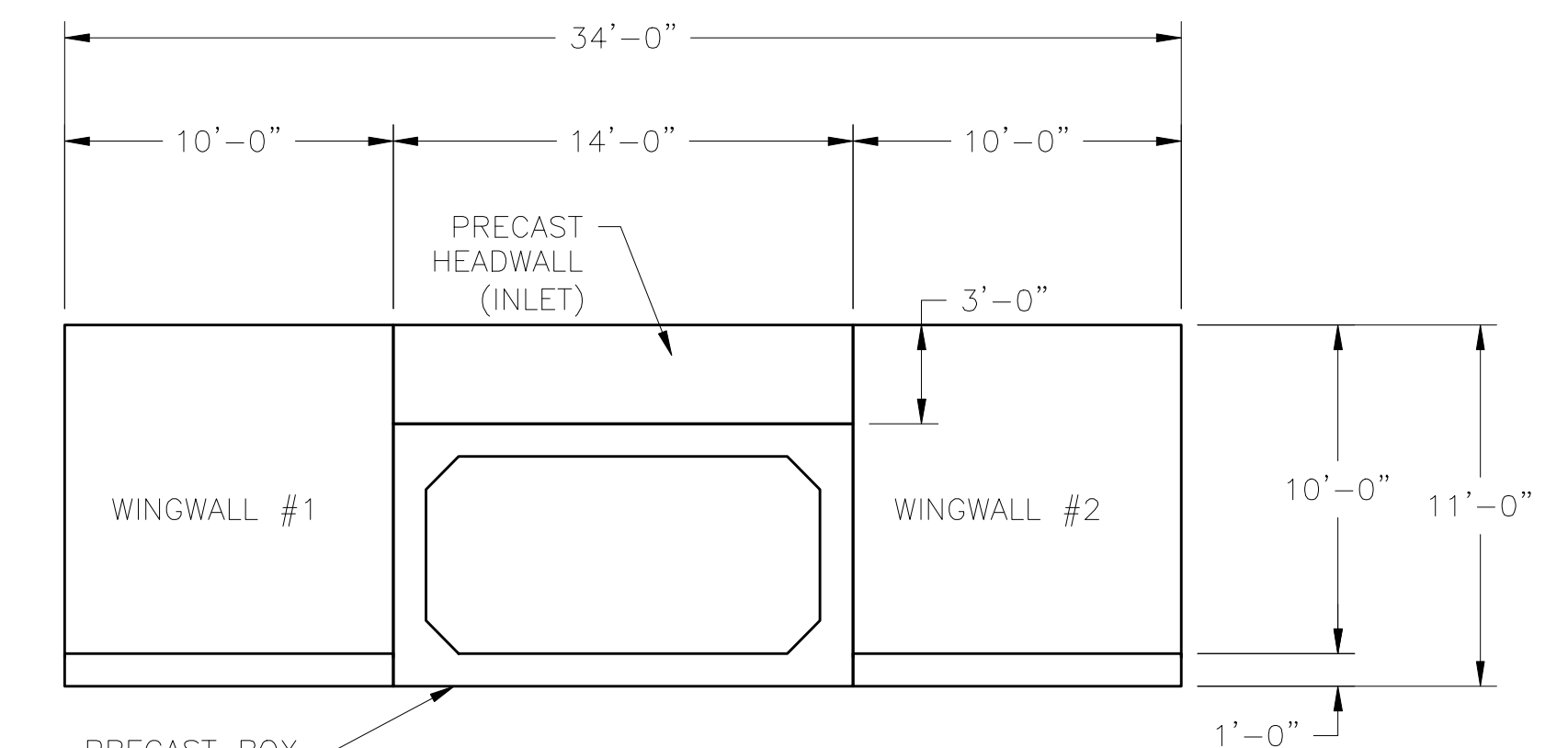


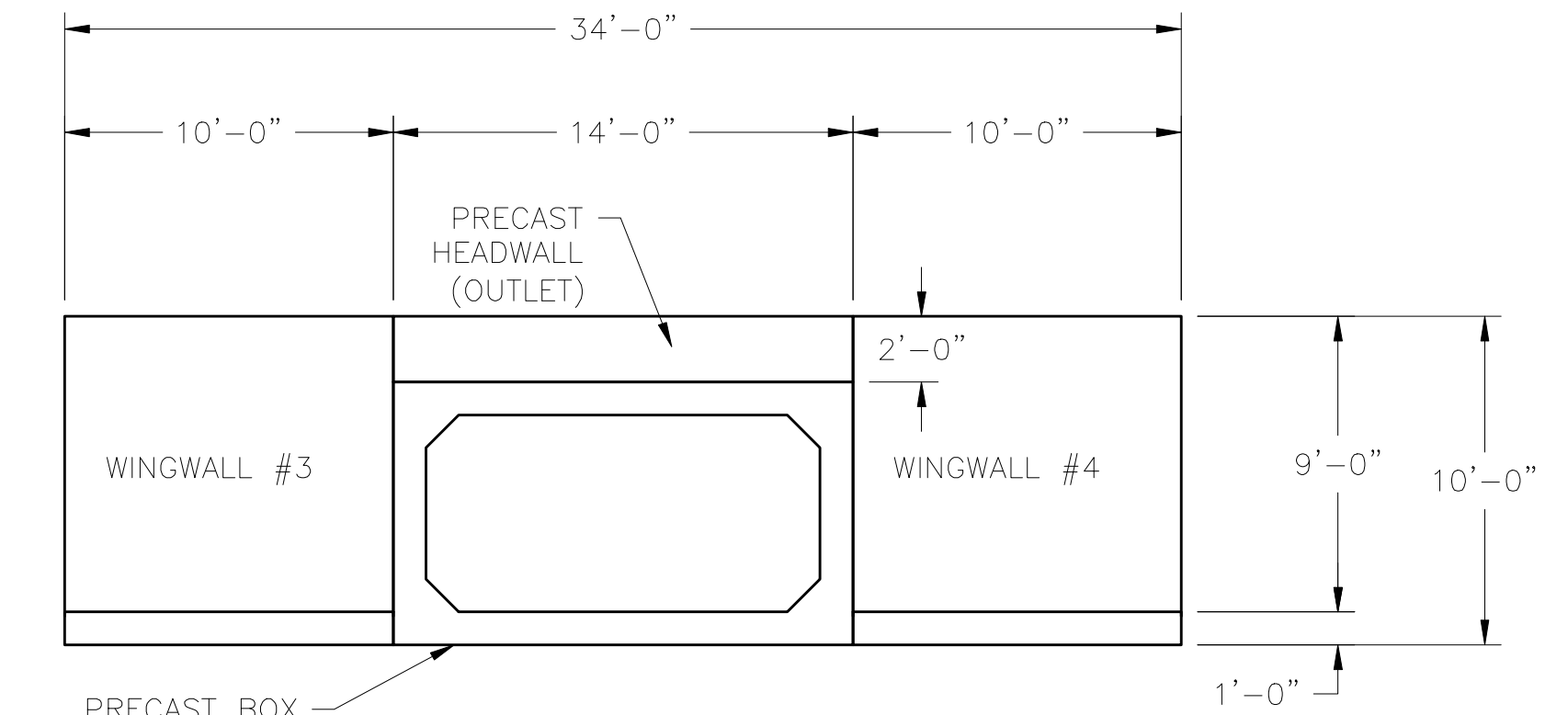
PLAN VIEW



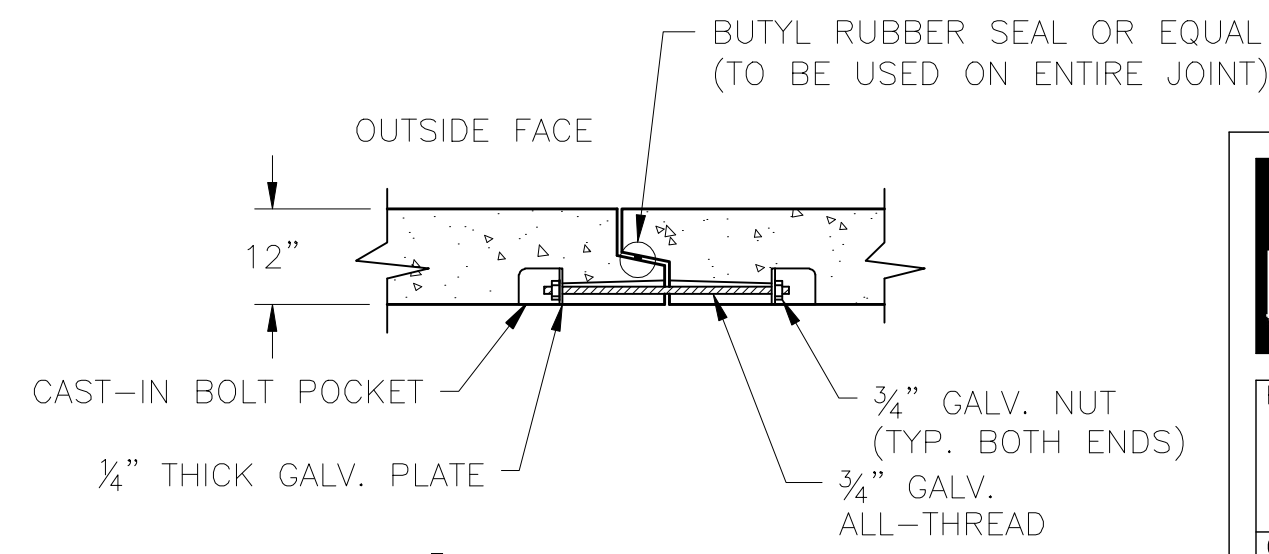
SECTION - A



INLET ELEVATION




OUTLET ELEVATION



JOINT DETAIL

- NOTES:
1. DESIGN IN ACCORDANCE WITH AASHTO 17TH EDITION, WITH HS-20 LOADING.
 2. CONCRETE TO BE 5,000 PSI @ 28 DAYS.
 3. REINFORCING TO BE GRADE 60, BLACK.
 4. SHIPLAP JOINTS TO BE SEALED WITH BUTYL RUBBER.
 5. EXTERIOR OF JOINT TO HAVE 12" EZ-WRAP ON SIDES AND TOP SURFACE.
 6. ALL RECESSED LIFTING ANCHORS TO BE FILLED WITH GROUT. (BY OTHERS)

		PRECAST OF MAINE 139 MAIN STREET, P.O. BOX 307 TOPSHAM, ME 04086 207-729-1628, FAX: 207-729-8710	
		PROJECT: 12' x 6' BOX CULVERT CENTER STREET BOWDOINHAM, ME	
CUSTOMER:		ENGINEER:	
RAY LABBE & SONS		PINE TREE	
DATE:	7/13/11	DRAWN BY:	MJB
SCALE:	NTS	DRAWING NUMBER:	001