

GEO-FLOW® PIPE

GEO-flow corrugated HDPE pipe is an advanced gravelless pipe distribution system ideal for equal distribution. The GEO-flow system is substantially more efficient than conventional on-site wastewater systems because its unique patented design promotes an oxygen-rich environment for increased biomat activity. With polypropylene grid and geotextile wrapping, GEO-flow increases effluent dispersal performance. Its flexibility makes it an excellent choice for contoured applications.

Because GEO-flow is gravelless and has a lightweight design, it is easily delivered and installed in areas where conventional pipe and gravel systems would be difficult to use. It requires fewer people, less time and less heavy equipment to install. It all adds up to lower installation costs. GEO-flow on-site septic systems offer top performance for all of your needs.

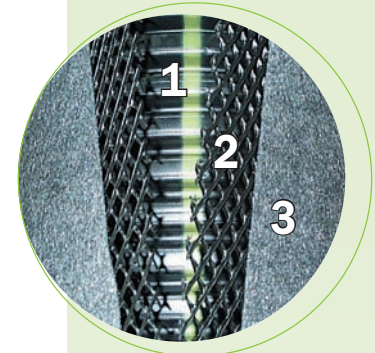
FEATURES:

- 10" (250 mm) diameter available
- Available in 10 ft (3m) lengths
- Excellent abrasion and corrosion resistance
- Hydraulic efficiency from smooth interior

BENEFITS:

- Installation cost savings from lower shipping costs, fewer people, and less heavy equipment required
- Fast installation times
- Long-term durability of HDPE

ADS Service: ADS representatives are committed to providing you with the answers to all your questions, including specifications, and installation and more.



1. ADS Corrugated HDPE Pipe helps cool the effluent as it passes through, aiding in the separation of foods, oils and greases from wastewater. The pipe provides additional treatment of solids which may escape the septic tank.
2. A symmetrical polypropylene grid serves to separate the geotextile wrapping from the pipe, thereby increasing the total surface area of the fabric available for biomat formation.
3. The special geotextile wrapping creates an additional layer for biomat activity, while utilizing capillary action to wick effluent into the surrounding soil.



ADS GEO-FLOW PIPE SPECIFICATION

SCOPE

This specification describes ADS GEO-flow available in 10-inch (250 mm) diameter pipe for use in on-site waste disposal applications.

PIPE REQUIREMENTS

ADS GEO-flow pipe shall meet the requirements of ASTM F667. It shall have a corrugated interior and exterior. There shall be eight 7/16 inch (9.5 mm) holes evenly spaced 45 degrees apart per corrugation continuing the full length of the pipe. The pipe shall be shipped with a pre-installed reinforcing geo-grid fabric and 4 ounce geotextile fabric.

JOINT PERFORMANCE

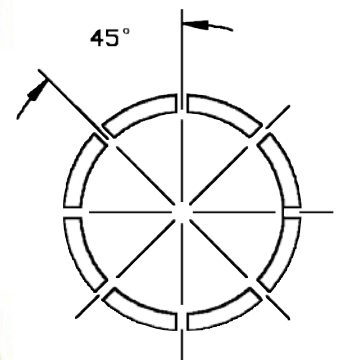
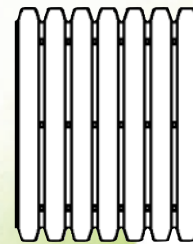
Pipe shall be joined with internal or external couplers covering at least two full corrugations on each end of the pipe.

MATERIAL PROPERTIES

Pipe material shall be high density polyethylene conforming to the minimum requirements of cell classification 424410C as defined and described in ASTM D3350.

GEO-GRID FABRIC

Technical Characteristic	Test Method	Value	Unit
Min. Tensile Strength	ASTM D4595	400	lb/ft.
Min. Transmissivity @ 1 and vertical load	ASTM D4716	1 x 10 ⁻³ 10,000	m ² /sec psf
Min. Density	ASTM D1505	0.940	g/cm ³
Typical Melt Flow Index	ASTM D1238	1.0	g/10 min.
Min. Carbon Black Content	ASTM D4218	2	%
Min. Thickness	ASTM D5199	5.0 (200)	mm/(mil)
Min. Unit Weight	ASTM D3776	20	oz/sy



4 OZ. GEOTEXTILE

Property	Specification	Test Method
Fiber	Polyester	—
Substrate	None	—
Weight	4.0 oz/yd ² +/- 0.04 oz/yd ²	FTM NW503
Thickness	0.065 inch +/- 0.010 inch	FTM NW504
Tensile	Warp: 52 lb. min. Fill: 68 lb. min.	FTM NW505

INSTALLATION

Installation shall be in accordance with ADS published installation instructions and those issued by a local health department. For leachfield applications, installation shall be in accordance with ASTM F481 and as regulated by regional, state, and local agencies. Proper authorization for specific applications and designs should be obtained prior to installation to ensure suitability in certain locales. Contact your local ADS representative or visit our website at www.ads-pipe.com for a copy of the installation guidelines.

For more information on ADS GEO-flow pipe and other ADS products, please contact our Customer Service Representatives at 1-800-821-6710

ADS "Terms and Conditions of Sale" are available on the ADS website, www.ads-pipe.com. The ADS logo, the Green Stripe, and GEO-flow® are registered trademarks of Advanced Drainage Systems, Inc. © 2007 Advanced Drainage Systems, Inc. #10515 (07463) 10/07